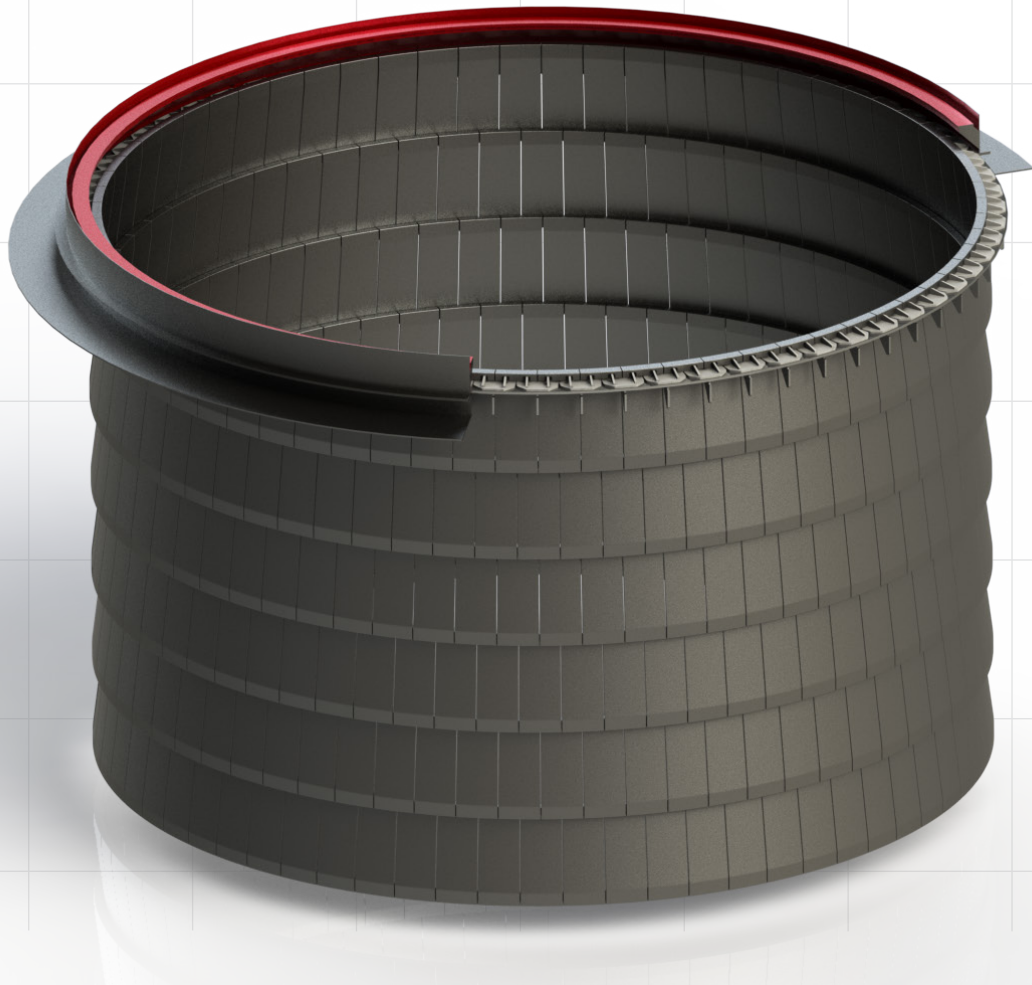


FULLER[®]



CAST CENTRAL PIPE (CCP)

FOR HIGH-TEMPERATURE CYCLONES

SAVE ENERGY OR INCREASE PRODUCTION

Our cast central pipe (CCP) improves separation and thermal efficiency, enabling your plant to save fuel and reduce power consumption. Use it to decrease energy costs or to increase production for a fast return on investment.

KEY BENEFITS

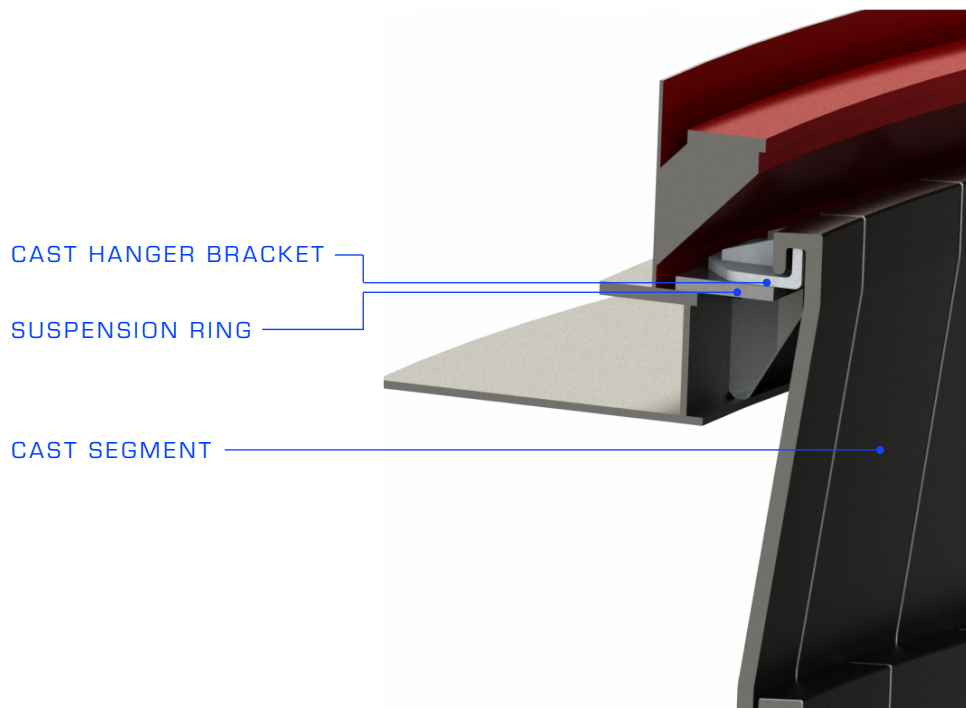
Customised solutions

Optimised pre-heater performance

Fast, easy installation

Reduced energy and power costs

SAVE ENERGY OR INCREASE PRODUCTION



Installation of a central pipe in the preheater cyclones is essential for the overall performance of the preheater. Delivering both improved separation and thermal efficiency, our central pipe saves fuel and decreases power consumed on the ID fan drive, as the preheater gas temperature is reduced.

By installing one cast central pipe in the lower cyclone stages, the typical fuel savings are between 5-10 kcal/kg clinker and the power consumption savings on the ID fan drive are between 4-8%.

Whether reductions in fuel and power consumption are converted into savings or increased production of typically 1-2%, the central pipe provides a fast return on investment.

NEW fixed hanging suspension system

The suspension system has been updated to align with the more standard suspension systems found in the industry.

Fixed brackets, welded to a suspension ring, provide a simple yet robust mounting platform.

The system also offers easy handling of replacement segments, thus minimising downtime. Thanks to our process know-how and material technology, the segments have been optimised to provide the market's best wear and corrosive resistance for temperatures up to 1100 °C.

This simple construction is a proven favorite due to its ease of installation and reliability in this harsh environment.

CUSTOMISED DESIGN FOR IMPROVED PERFORMANCE

FAST, EASY INSTALLATION AND DELIVERY

Our cast central pipe's modular design fits into any size of cyclone design – both new and existing cyclones, regardless of manufacturer of existing installation.

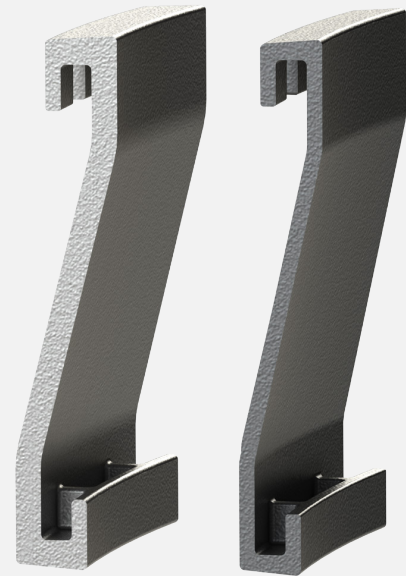
The cast central pipe is very easy to install with only a short downtime required. The simple design and limited number of different replacement parts makes it possible for us to maintain adequate stock to ensure fast delivery worldwide.

Customised design for increased lifetime

We have designed a 25mm segment to improve the performance of the free-floating cast central pipe in the lower stages of the preheater. The 25mm segments can be combined with 15mm segments, which makes it possible to tailor the cast central pipe according to mechanical and chemical influences during operation.

Erosive wear affects the entire cast central pipe, but the consequences of a failure are more significant in the top part of the pipe. Our cast central pipes are therefore delivered with a 20 or 25mm top ring as standard depending on cyclone diameter.

To prevent mechanical wear caused by quartz particles or other hard and erosive particles, the 25mm segment can be used to upgrade the entire cast central pipe or only parts of it.



25 MM SEGMENT 15 MM SEGMENT

Material choices for tomorrow's fuel types

Our cast central pipe is available in three different materials to accommodate both normal and highly corrosive environments. The proven standard material offers a cost effective solution for applications in low-corrosive environments.

For plants suffering from rapid corrosion, typically caused by high chloride and sulphur content from alternative fuels, a corrosion-resistant material is available to improve lifetime and prevent downtime between planned maintenance stops.

FULLER®

C 11-25 400-11-ENG



fuller-technologies.com