

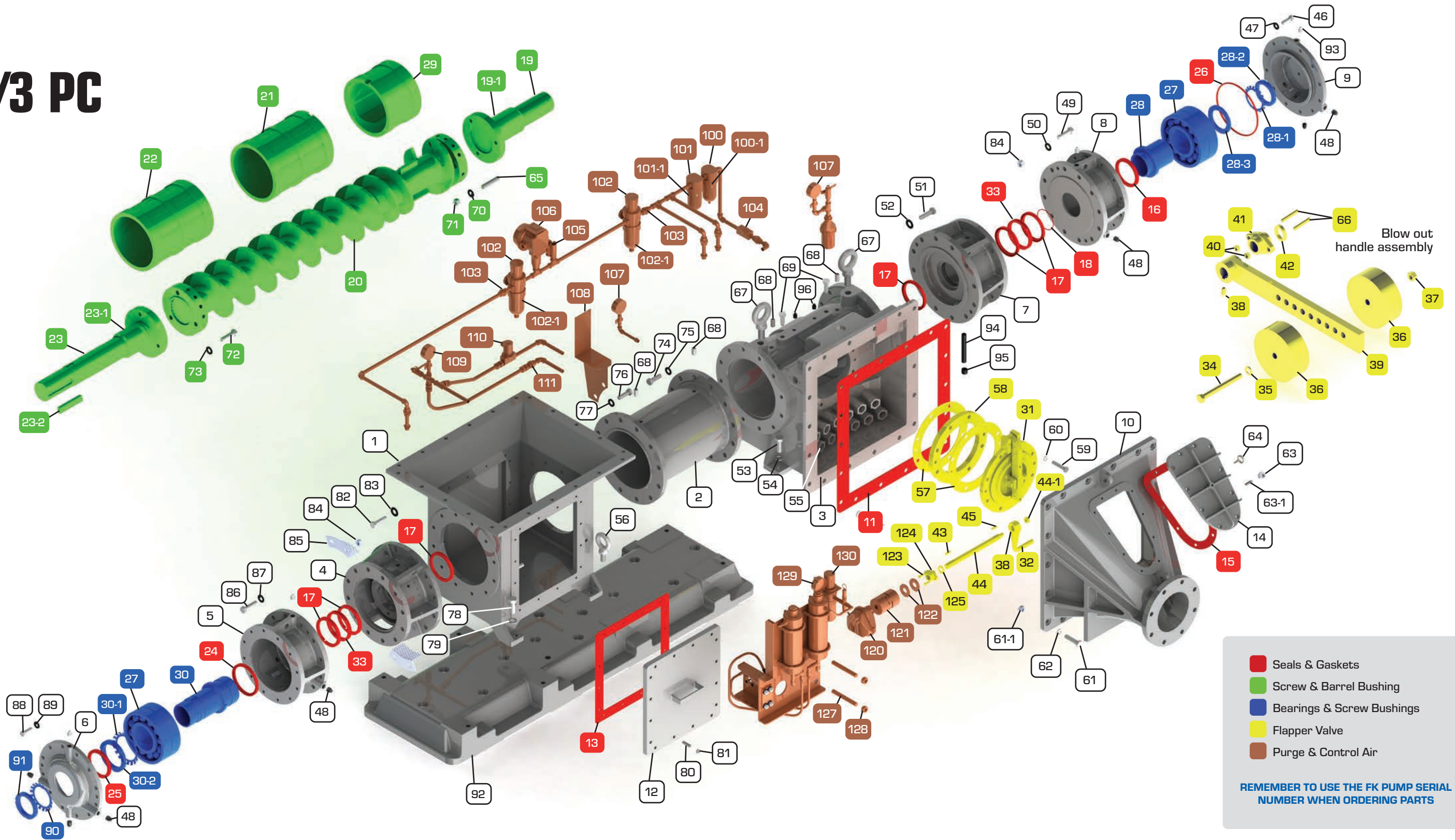
FULLER-KINYON®

TYPE M PUMP w/3 PC

SCREW PARTS IDENTIFICATION

ITEM	REQ	DESCRIPTION
------	-----	-------------

1	1	Hopper
2	1	Barrel
3	1	Side Discharge Housing
4	1	Bearing Housing Support-Drive End
5	1	Bearing Housing-Drive End
6	1	Bearing Retainer-Drive End
7	1	Bearing Housing Support-Disch End
8	1	Bearing Housing-Disch End
9	1	Bearing Retainer-Disch End
10	1	Discharge Body
11	1	Discharge Body Gasket
12	2	Hopper Cover
13	2	Hopper Cover Gasket
14	1	Discharge Body Cover
15	1	Discharge Body Cover Gasket
16	1	Lip Seal - Disch. Bearing
17	6	Lip Seal - Support Housing
18	1	O-Ring
19	1	Discharge Shaft
19-1	1	Wear Sleeve
20	1	Screw
21	1	Barrel Bushing - Hard
22	1	Barrel Bushing - Soft
23	1	Drive Shaft
23-1	1	Wear Sleeve
23-2	1	Keystock
24	1	Lip Seal - Drive Bearing
25	1	Lip Seal - Drive Bearing
26	2	O-Ring
27	2	Bearing Sets
28	1	Screw Bushing - Discharge End
28-1	1	Lockwasher
28-2	1	Lock Nut
28-3	1	Thrust Washer
29	1	Barrel Bushing
30	1	Screw Bushing Assy. - Drive End
30-1	1	LockWasher
30-2	1	LockNut
31	1	Flapper Valve Assembly
32	1	Blowout Lever
33	2	Grease Ring
34	1	Hex. Head Capscrew
35	1	Lockwasher
36	2	Counterweight



ITEM	REQ	DESCRIPTION
37	2	Counterweight
38	2	Soc. Setscrews
39	1	Blowout Handle
40	2	Hex. Nut
41	1	Packing Gland
42	2	Packing
43	1	Key
44	1	Shaft for Blowout Lever Assy
44-1	1	Hex. Nut
45	1	Key
46	1	Hex. Head Capscrew
47	1	Lockwasher
48	1	Pipe Plug
49	1	Hex. Head Capscrew
50	1	Lockwasher
51	1	Hex. Head Capscrew
52	1	Lockwasher

ITEM	REQ	DESCRIPTION
53	1	Hex. Head Capscrew
54	1	Lockwasher
55	13	Air Nozzle
56	2	Ring Bolt
57	2	Gasket
58	1	Spacer
59	1	Hex. Head Capscrew
60	1	Lockwasher
61	1	Hex. Head Capscrew
61-1	1	Hex. Nut
62	1	Lockwasher
63	1	Hex. Nut
63-1	1	Stud
64	1	Eye Bolt
65	3	Stud - Special
66	2	Stud
67	2	Ring Bolt

ITEM	REQ	DESCRIPTION
68	4	Setscrews
69	2	Barrel Bushing Retainer Bolt
70	3	Lockwasher - Special
71	3	Hex. Nut - Special
72	3	Hex. Head Capscrew - Special
73	3	Lockwasher - Special
74	1	Hex. Head Capscrew
75	1	Lockwasher
76	1	Hex. Head Capscrew
77	1	Lockwasher
78	1	Hex. Head Capscrew
79	1	Lockwasher
80	16	Stud
81	16	Hex. Nut
82	1	Hex. Head Capscrew
83	1	Lockwasher
84	1	Hex. Nut

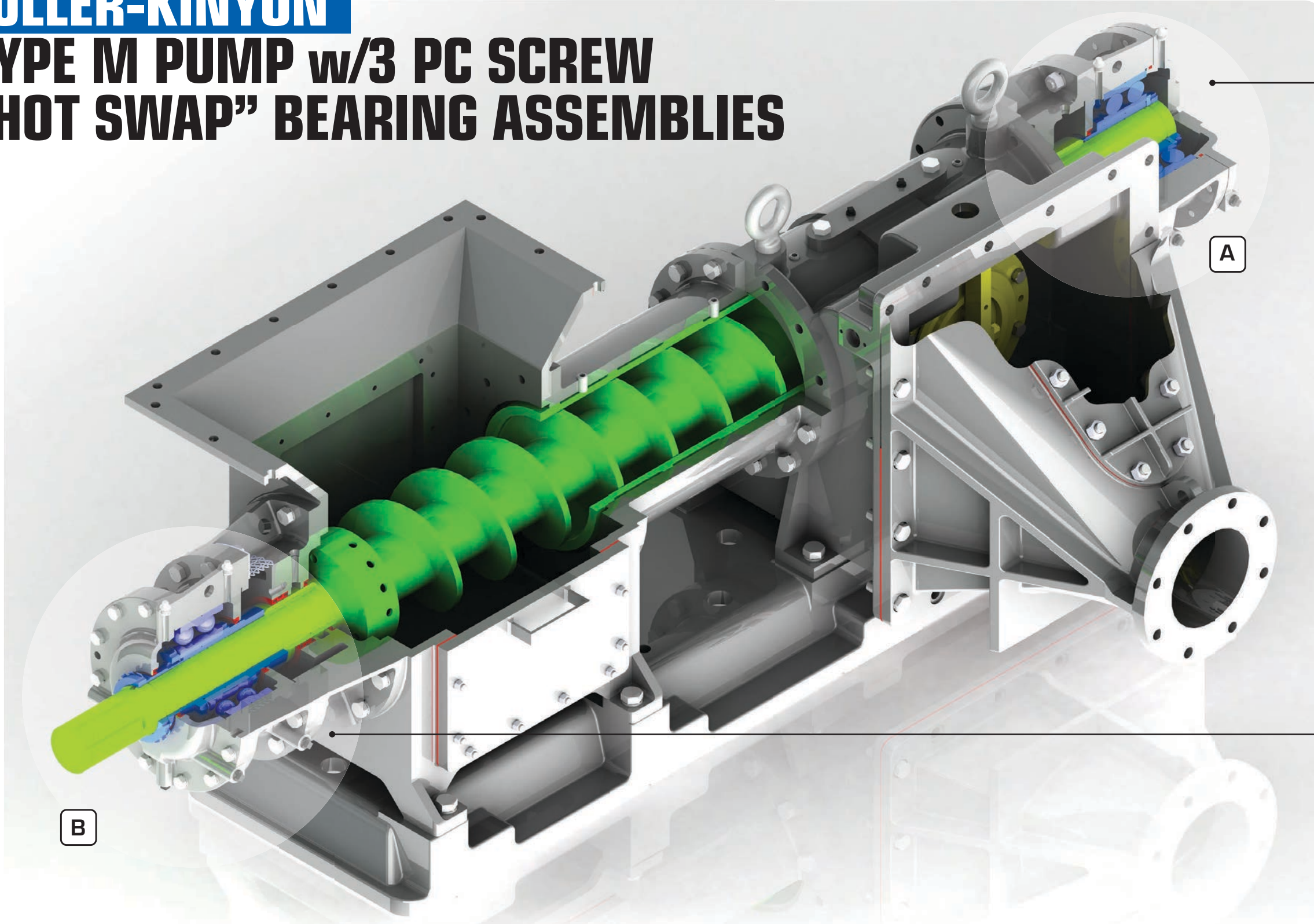
ITEM	REQ	DESCRIPTION
85	1	Bearing Housing Support Guard
86	1	Hex. Head Capscrew
87	1	Lockwasher
88	1	Hex. Head Capscrew
89	1	Lockwasher
90	1	Bearing Lockwasher
91	1	Bearing Locknut
92	1	Base
93	7	Grease Fitting
94	1	Pipe Nipple
95	1	Cap Pipe Screwed
96	1	Pipe Plugs
100	1	Microlescer Filter
100-1	1	Filter Element
101	1	Prefilter
101-1	1	Filter Element
102	2	Filter Regulator w/Gauge

ITEM	REQ	DESCRIPTION
102-1	1	Filter Element
103	2	Choke Plug
104	1	Check Valve
105	1	2-Way Solenoid Valve
106	1	Pressure Switch
107	2	Pressure Gauge
108	1	Mounting Bracket
109	1	Pressure Gauge
110	1	2-Way Solenoid Valve
111	1	Choke Plug

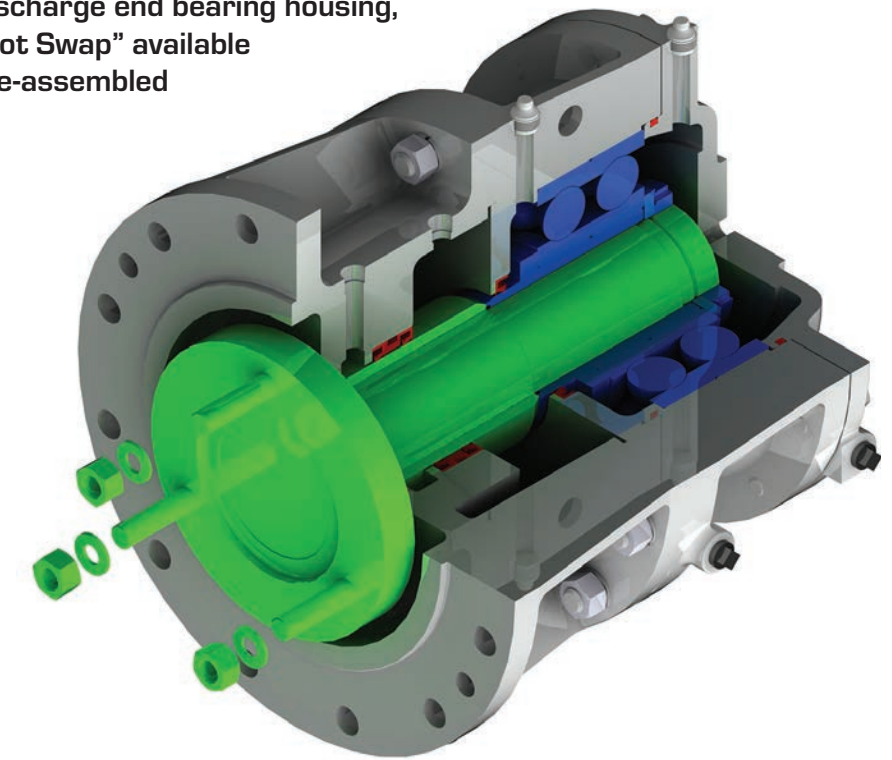
ITEM	REQ	DESCRIPTION
120	1	Actuator Rotary Pneumatic
121	1	Coupling, Flexible Jaw
122	1	Setscrew Collar / Washer
123	2	Screw
124	1	Seal Retainer
125	1	Rod Seal
127	2	Threaded Rod
128	8	Hex. Nut
129	1	Pressure Gauge
130	1	Air Filter / Regulator

FULLER-KINYON®

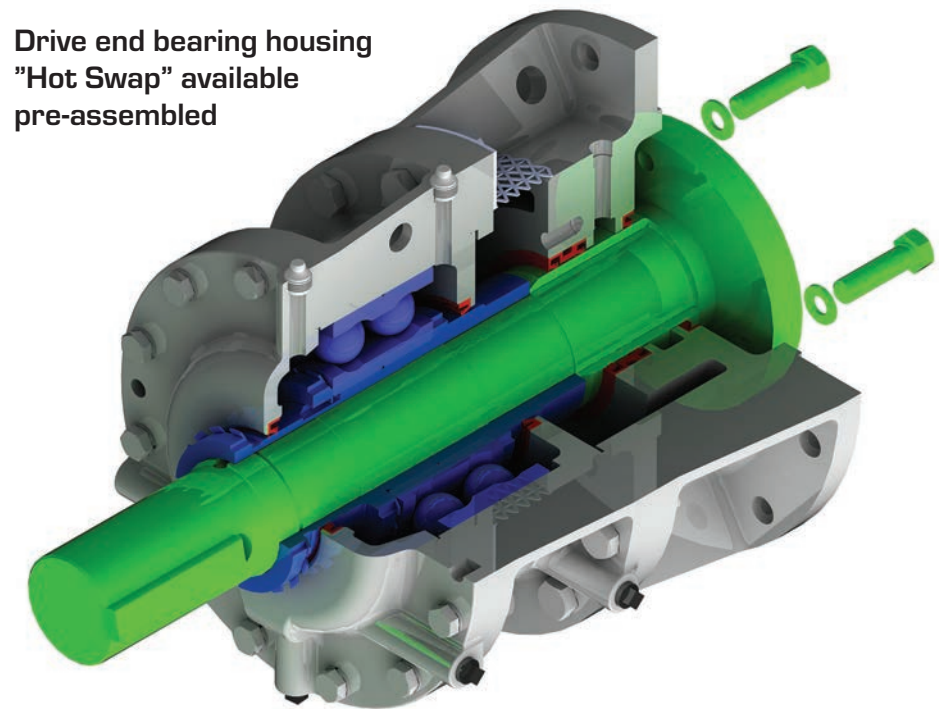
TYPE M PUMP w/3 PC SCREW “HOT SWAP” BEARING ASSEMBLIES



A Discharge end bearing housing,
“Hot Swap” available
pre-assembled



B Drive end bearing housing
“Hot Swap” available
pre-assembled



FULLER-KINYON® PUMP 3-PIECE BEARING HOUSING EXCHANGE PROGRAM - “HOT SWAPS”

The “Hot Swap” is a fully-assembled FK Pump bearing housing for the 3-piece screw design. It comes installed with new seals, bushings, bearings, and is pre-lubricated.

Similar to Fuller’s compressor exchange program, the Hot Swap program exchanges worn 3-piece M pump bearing housing assemblies for new, warranted replacements. Ship your worn bearing assembly to one of our Service Centers. If an inspection reveals that its shaft, bearing housing, bearing support, and cover plate can be used again (many can be) for a future rebuild, there will be no upcharge for the good parts.

Quick delivery can also be made because large inventories of bearing housings maintained at Fuller’s Northampton, Pennsylvania plant and at our Certified Service Centers strategically located throughout the USA and Canada.

The cost of each hot swap is significantly less than buying the individual parts. The savings get even better when you factor in the reduced overall system downtime.

Maximize the benefits of the 3-piece screw in your Type M Fuller-Kinyon pumps by keeping Hot Swap bearing assemblies in your inventory. Having complete bearing assemblies readily available allows for immediate replacement and shortest possible downtime for your Fuller-Kinyon pump systems.

**FOR MORE INFORMATION CALL US AT 610-264-6800,
OR TOLL-FREE AT 800-795-6825.**

FULLER®

www.fuller-technologies.com