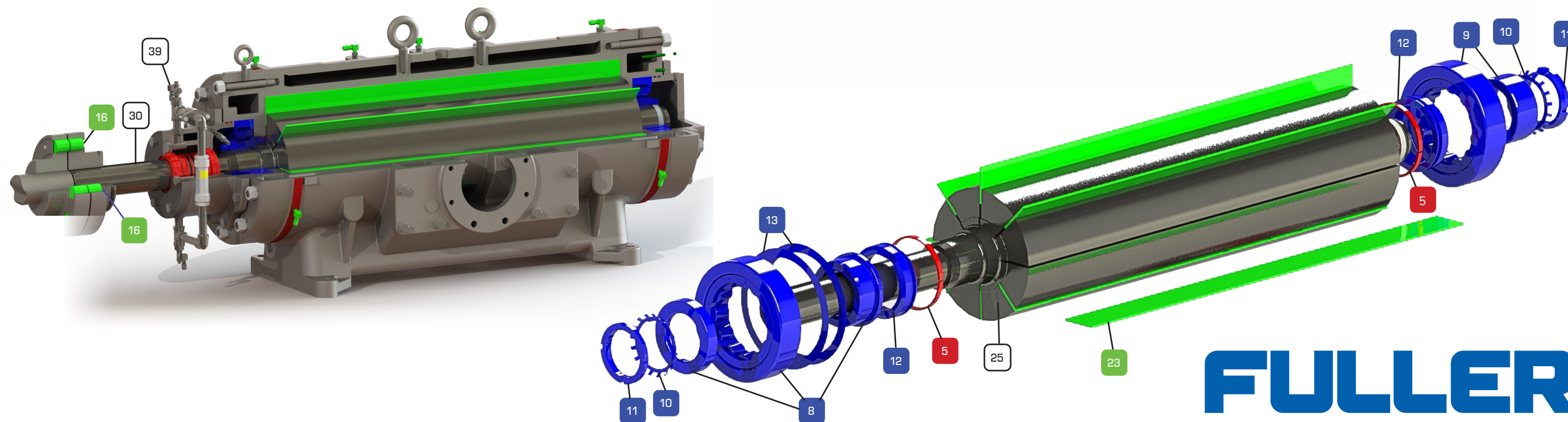
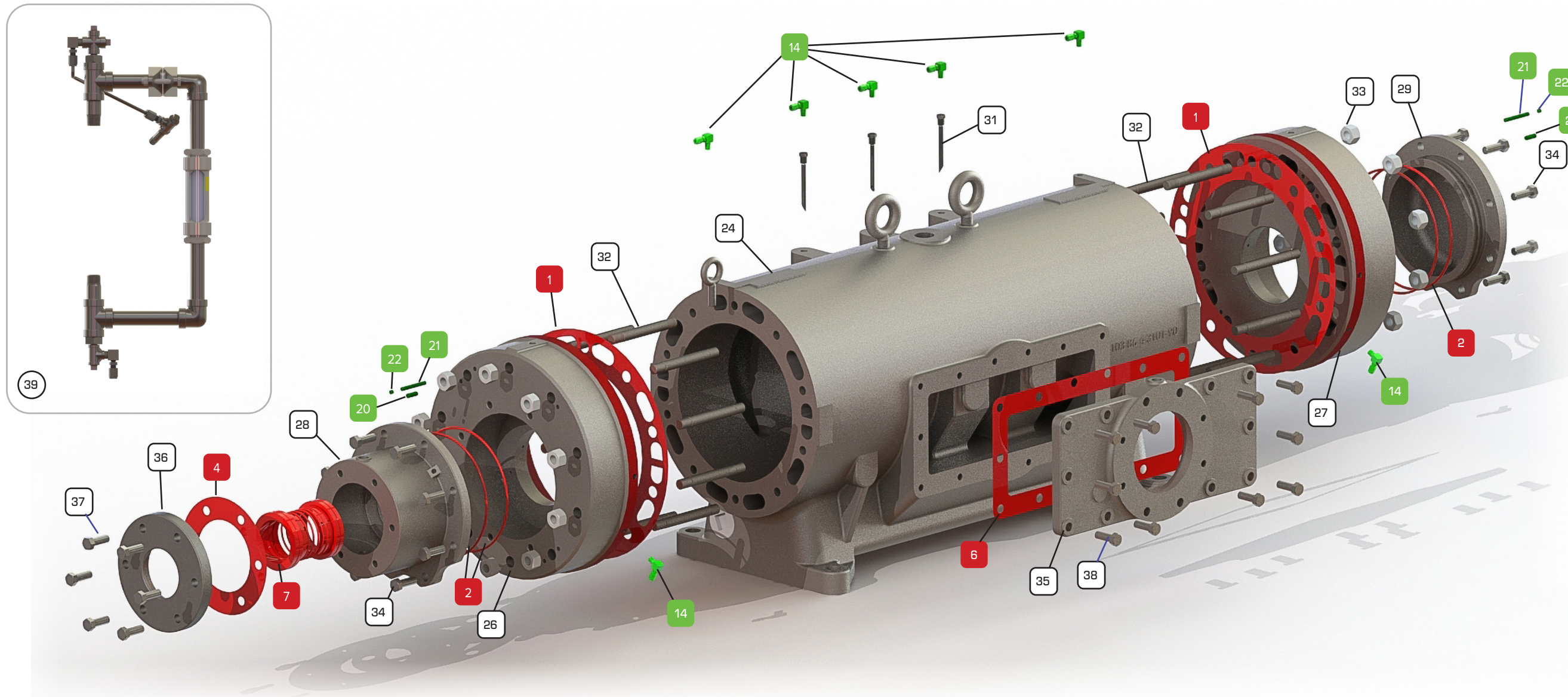


# FUL-VANE™ ROTARY GAS COMPRESSOR W/DOUBLE SEAL PARTS IDENTIFICATION

## FUL-VANE COMPRESSOR PARTS LIST



ITEM	DESCRIPTION
1	Head gasket (set)
2	Bearing retainer O-ring (ea)
3	Shaft o-ring (ea)
4	Seal cover gasket (ea)
5	Hub seal ring (ea)
6	**Cylinder discharge cover gasket (ea)
7	Rotary seal assembly (ea)
	***Cylinder inlet cover gasket (ea) NOT SHOWN
8	Front bearing, race, & collar (set)
9	Rear bearing & race (set)
10	Bearing lockwasher (ea)
11	Bearing locknut (ea)
12	Hub seal ring retainer (ea)
13	Front bearing shim set (set)
14	Angle check valve (ea)
16	Coupling pins (set)
20	Dowel pin (ea)
21	Head back off pin (ea)
22	Setscrew back off pin (ea)
23	*Premium blades (set)
24	Cylinder body (ea)
25	Rotor (ea)
26	Cylinder head, front (ea)
27	Cylinder head, rear (ea)
28	Bearing retainer front (ea)
29	Bearing retainer rear (ea)
30	Keystock square (12" cut to fit)
31	Oil quill (ea)
32	Cylinder head stud (ea)
33	Cylinder head nut (ea)
34	Bearing retainer capscrew (ea)
35	**Cylinder discharge cover (ea)
	***Cylinder inlet cover (ea) NOT SHOWN
36	Seal cover (ea)
37	Seal cover capscrew (ea)
38	Discharge cover capscrew (ea)
39	Seal piping assembly

■ Seal/gasket Kit  
■ Bearing/rotating parts kit  
■ Total Rebuild Kit  
 (Includes red and blue kit)

Parts may be ordered individually or as color kits  
 \* To order premium blades, please provide rotor slot or blade thickness  
 \*\* Available on sizes C-135 through C-608  
 \*\*\* Available on size C-350  
 Items 15, 17, 18 & 19 not pertinent to this model

**FULLER**®  
www.fuller-technologies.com